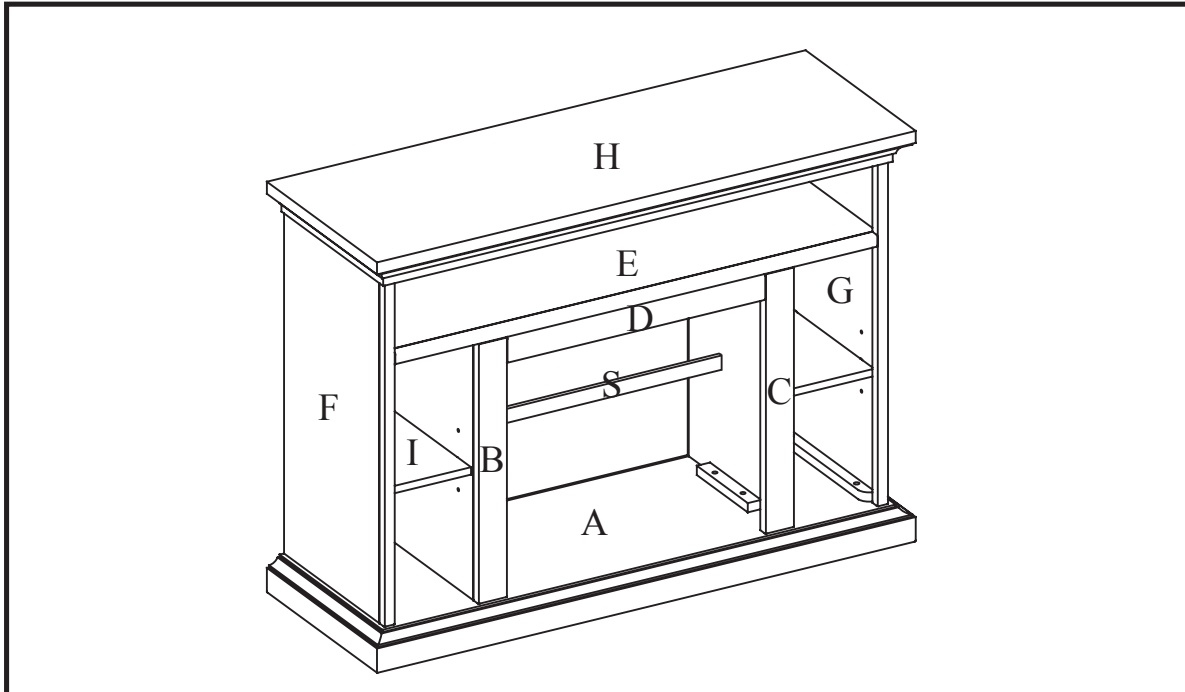


WOOD FIREPLACE MANTEL

23WM374

WOOD MANTEL ASSEMBLY INSTRUCTIONS



Part	PARTS LIST Description	Quantity
	PARTS	
A	Hearth/Base	1
B	Left Front Panel	1
C	Right Front Panel	1
D	Center Front Panel	1
E	Center Shelf	1
F	Left Side Panel	1
G	Right Side Panel	1
H	Mantel/Top	1
I	Wood Shelf	2
J	Left Back Panel	1
K	Right Back Panel	1
P	Center Back Panel	1
S	Insert Support Bar	1
	HARDWARE	
L	Bolt 1/4" x 1 1/4"	19
M	Washer	19
N	Wood Dowel	24
Q	SCREW	28
O	Shelf Pins	8

Twin-Star International, Inc.
Delray Beach, FL 33483

Made in China
Printed in China

For Customer Service:

E-mail: parts@twinstarhome.com
In English call: 866-661-1218
In French call: 866-374-9203
In Spanish call: 866-661-1218

ATTENTION

ALSO Requires - Electric
Fireplace Insert with Heater